

Interface Module IMove 1250 for Move 1250



Advantages to the User

- Status query and valve position

Typical Applications

The interface module IMove 1250 connects a RS 232C interface (for example from a computer or a PLC) to the digital interface of the Move 1250 control valve.

Technical Data

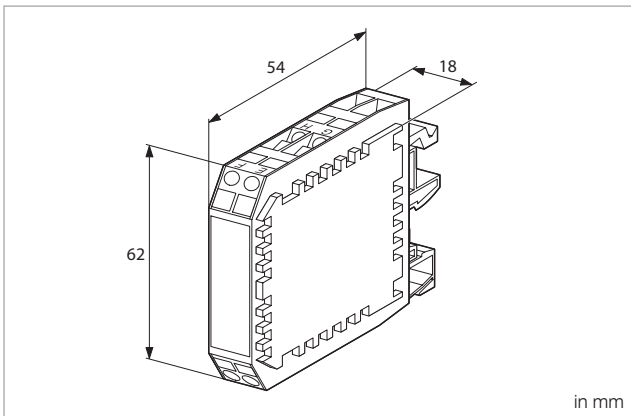
Interface Module IMove 1250

Temperature		
Operation	°C	+5 to +50
Storage	°C	-10 to +65
Protection class	IP	30
Operation voltage	V DC	24 ± 10%
Current consumption		
IMove 1250	mA	< 50 (own consumption)
Move 1250	mA	< 500
Provide upfront fusing		1 AT
Interface		RS 232 C
Mounting		
Support rails		EN 50022-35 (symmetrical) EN 50035-G32 (asymmetrical)
Weight	g	40 (0.09)

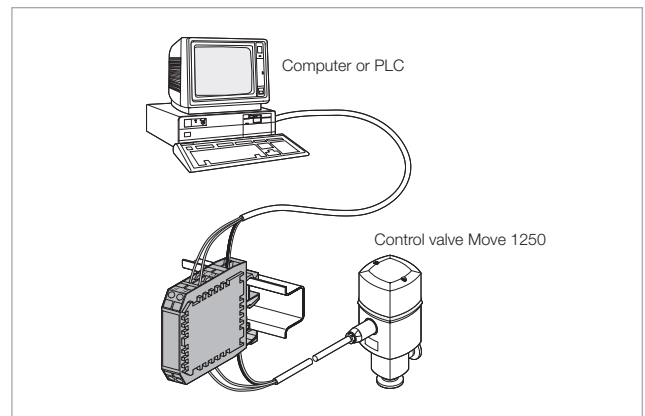
Ordering Information

Interface Module IMove 1250

	Part No.
Interface-Modul IMove 1250	230 201



Dimensional drawing for the IMove 1250



Connection of the IMove 1250